

Reissued: 03-Feb-00

Model: Stinger-C1 DF (DF68)	Date: 15-Jan-00	No.: MA859001a
-----------------------------	-----------------	----------------

### MB Correction

The information announced in MB (MA859001) is incorrect.  
Please ignore this MB.

Modified Article: Parts Catalog Correction		Prepared by: K. Miura	
From: Technical Services Dept., GTS Division			
Reason for Modification:	<input checked="" type="checkbox"/> Parts catalog correction	<input type="checkbox"/> Vendor change	<input type="checkbox"/> To meet standards ( )
	<input type="checkbox"/> To facilitate assembly	<input type="checkbox"/> To improve reliability	
	<input type="checkbox"/> Part standardization	<input type="checkbox"/> Other	

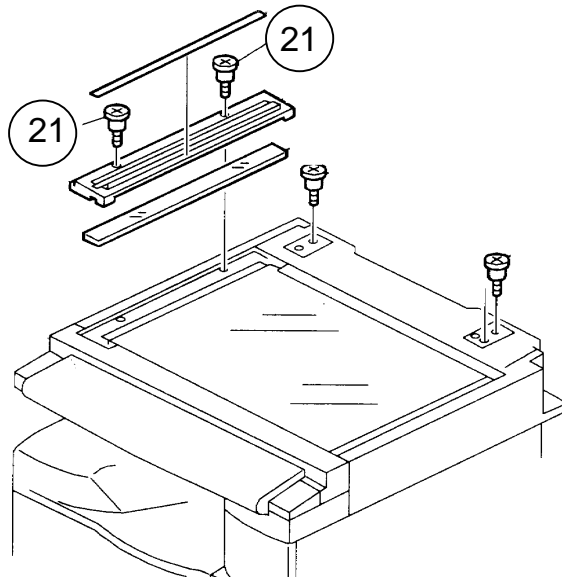
Please correct your service manual as follows:

### Parts Number Correction

Old part number	New part number	Description	Q'ty	Page	Index	Note
A6283118	A1931759	Stepped Screw	2	3	21	

### Q'ty Correction

Old Q'ty	New Q'ty	Part number	Description	Q'ty	Page	Index	Note
1	2	A6283115	Stepped Screw	2	3	21	



Reissued: 14-Mar-00

Model: Stinger-C1 DF	Date: 15-Jan-00	No.: MA859002a
----------------------	-----------------	----------------

## MB Correction

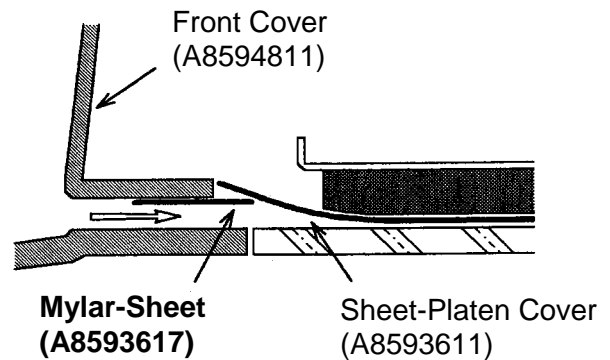
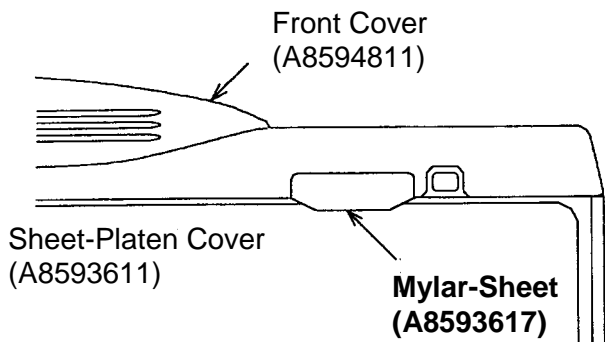
The items in bold italics have been corrected added.

Modified Article: Platen cover sheet pulls up on exposure glass		Prepared by: K. Miura	
From: Technical Services Dept., GTS Division			
Reason for Modification:	<input type="checkbox"/> Parts catalog correction	<input type="checkbox"/> Vendor change	<input type="checkbox"/> To meet standards ( )
	<input type="checkbox"/> To facilitate assembly	<input checked="" type="checkbox"/> To improve reliability	
	<input type="checkbox"/> Part standardization	<input type="checkbox"/> Other	

When the platen cover is closed and opened again, the white sheet on the inside of the cover touches the exposure glass and pulls up on the glass.

A sheet of mylar has been attached to the **front cover** to prevent it from touching the glass when the cover is closed (see the illustration).

Old part number	New part number	Description	Q'ty	Int	Page	Index	Note
	A8593617	Mylar - Sheet	1		3	23	

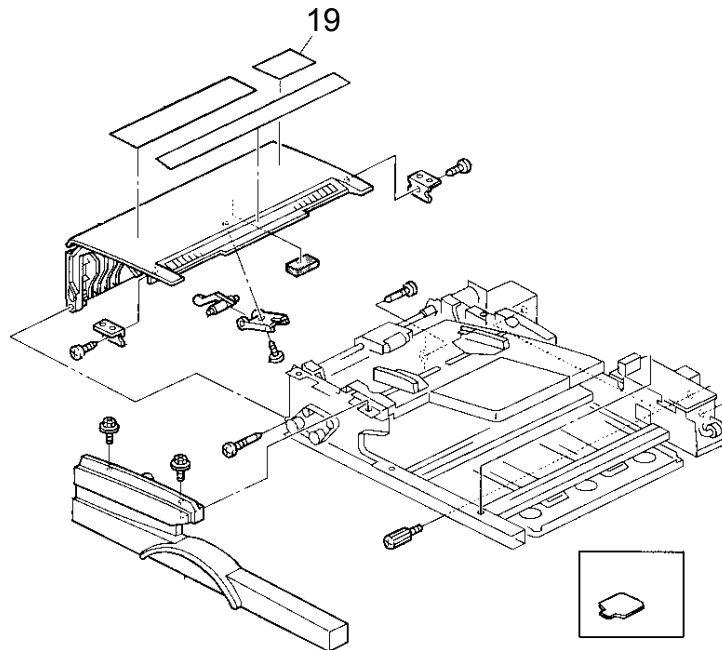


MODEL NAME	DESTINATION	CODE	JAPAN PRODUCTION
			SERIAL NO.
DF68	All Ricoh subsidiaries, NRG, Savin	A859-17	H1898001543
DF68	Infotec	A859-26	3U98990001
DF68	Lanier	A859-55	L0489890001

Model: Stinger-C1 DF (DF68)		Date: 17-Nov-00	No.: MA859003
Modified Article: Exposure Glass Decal		Prepared by: K. Miura	
From: Technical Services Dept., GTS Division			
Reason for Modification:	<input type="checkbox"/> Parts catalog correction	<input type="checkbox"/> Vendor change	<input type="checkbox"/> To meet standards ( )
	<input type="checkbox"/> To facilitate assembly	<input type="checkbox"/> To improve reliability	
	<input checked="" type="checkbox"/> Part standardization	<input type="checkbox"/> Other	

For purposes of parts standardization with existing and new models yet to be released, the exposure glass decal has been changed.

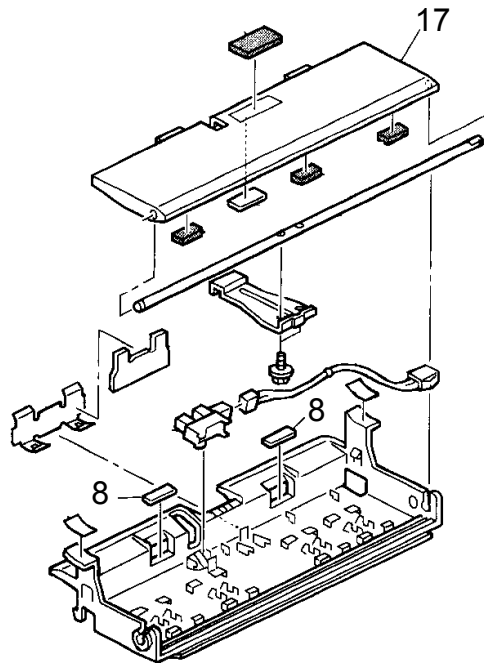
Old part number	New part number	Description	Q'ty	Int	Page	Index	Note
A8596052	A8586062	Decal - Exposure Glass	1	O/O	3 17	19 7	



Model: Stinger-C1 DF(DF68)		Date: 21-Dec-00	No.: MA859004
Modified Article: Cushion Base		Prepared by: K. Miura	
From: Technical Services Dept., GTS Division			
Reason for Modification:	<input type="checkbox"/> Parts catalog correction <input type="checkbox"/> To facilitate assembly <input type="checkbox"/> Part standardization	<input type="checkbox"/> Vendor change <input checked="" type="checkbox"/> To improve reliability <input type="checkbox"/> Other	<input type="checkbox"/> To meet standards ( )

The material of the cushion base has been changed to ensure that #17 (Base - Paper Feed) will separate paper to feed the original smoothly.

Old part number	New part number	Description	Q'ty	Int	Page	Index	Note
A8592318	A8592319	Cushion Base	2	X/O	5	8	



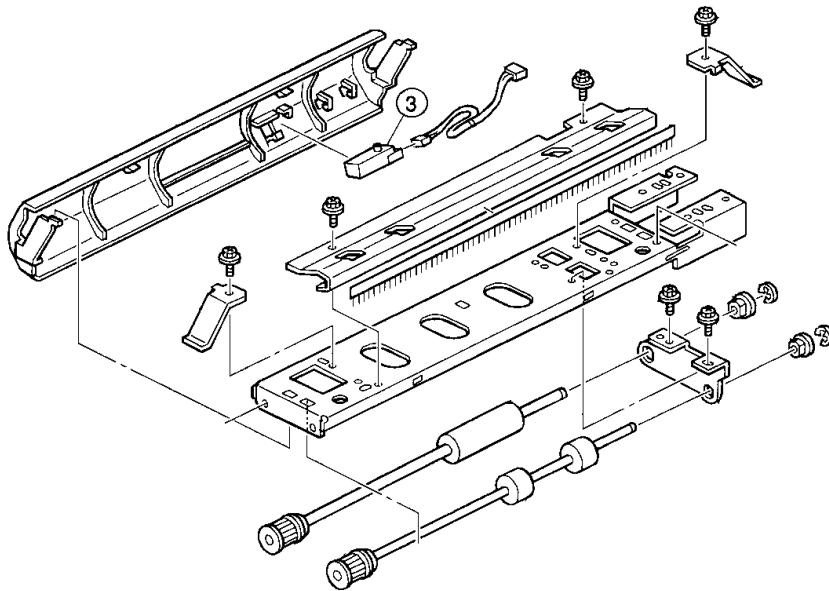
### Dongan (China) Production

MODEL NAME	DESTINATION	CODE	SERIAL NO.
DF68	All RICOH subsidiaries, NRG, SAVIN	A859-17	H1808300001
DF68	Infotec	A859-26	3U9910xxxx
DF68	Lanier	A859-55	L0480910001

Model: Stinger-C1 DF (DF68)		Date: 29-Mar-01	No.: MA859005
Modified Article: Photo Sensor		Prepared by: K. Miura	
From: Technical Services Dept., GTS Division			
Reason for Modification:	<input type="checkbox"/> Parts catalog correction	<input checked="" type="checkbox"/> Vendor change	<input type="checkbox"/> To meet standards ( )
	<input type="checkbox"/> To facilitate assembly	<input type="checkbox"/> To improve reliability	
	<input type="checkbox"/> Part standardization	<input type="checkbox"/> Other	

The vender for the following part has been changed.

Old part number	New part number	Description	Q'ty	Int	Page	Index	Note
AW010076	AW010093	Photo Sensor – PS – 117ND1	1	O/O	11	3	



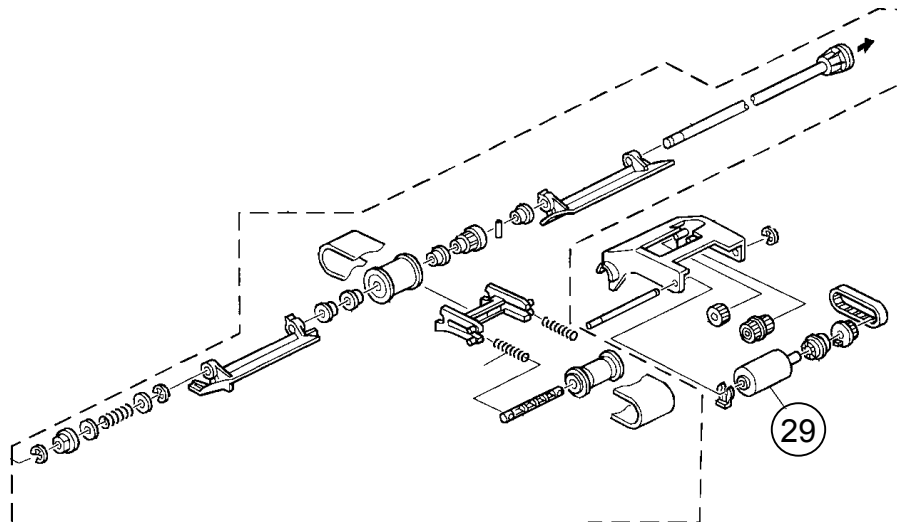
### RCL (Japan) Production

MODEL NAME	DESTINATION	CODE	SERIAL NO.
DF68	All RICOH subsidiaries, NRG, SAVIN	A859-17	H1817500001
DF68	Infotec	A859-26	3U9831XXXX
DF68	Lanier	A859-55	L0481830001

Model: Stinger-C1 DF (DF68)		Date: 21-May-01	No.: MA859006
Modified Article: Pickup Roller		Prepared by: K. Miura	
From: Technical Services Dept., GTS Division			
Reason for Modification:	<input type="checkbox"/> Parts catalog correction <input type="checkbox"/> To facilitate assembly <input checked="" type="checkbox"/> Part standardization	<input type="checkbox"/> Vendor change <input type="checkbox"/> To improve reliability <input type="checkbox"/> Other	<input type="checkbox"/> To meet standards ( )

For parts standardization with other models, the pick-up roller has been changed as follows.

Old part number	New part number	Description	Q'ty	Int	Page	Index	Note
A8592161	B3862171	Pickup Roller	1	O/O	7	29	



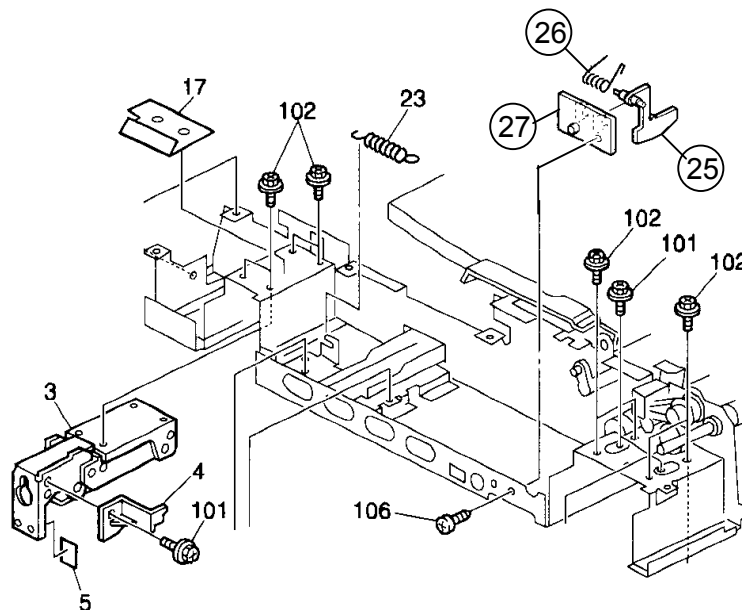
Model: Stinger-C1 DF (DF68)		Date: 27-Sep-01	No.: MA859007
Modified Article: APS Feeler		Prepared by: K. Miura	
From: Technical Services Dept., GTS Division			
Reason for Modification:	<input type="checkbox"/> Parts catalog correction	<input type="checkbox"/> Vendor change	<input type="checkbox"/> To meet standards ( )
	<input type="checkbox"/> To facilitate assembly	<input type="checkbox"/> To improve reliability	
	<input type="checkbox"/> Part standardization	<input checked="" type="checkbox"/> Other	

If large originals are set on the exposure glass under the APS Feeler, the feeler can damage the original when the ADF is closed.

The two fused sections of the Feeler (#25, 27 below) have been separated and a spring added so that the Feeler will retract inside the DF upon contact.

Old part number	New part number	Description	Q'ty	Int	Page	Index	Note
A8591121		Feeler – APS	1	X/O	13	24	
	B3861125	APS Feeler	1		13	25	A
	B3871951	Spring – Paper Size Sensor	1		13	26	A
	B3861121	APS Feeler Bracket	1		13	27	A

**Note:** These three parts should be replaced together as a set.



### Dongan (China) Production

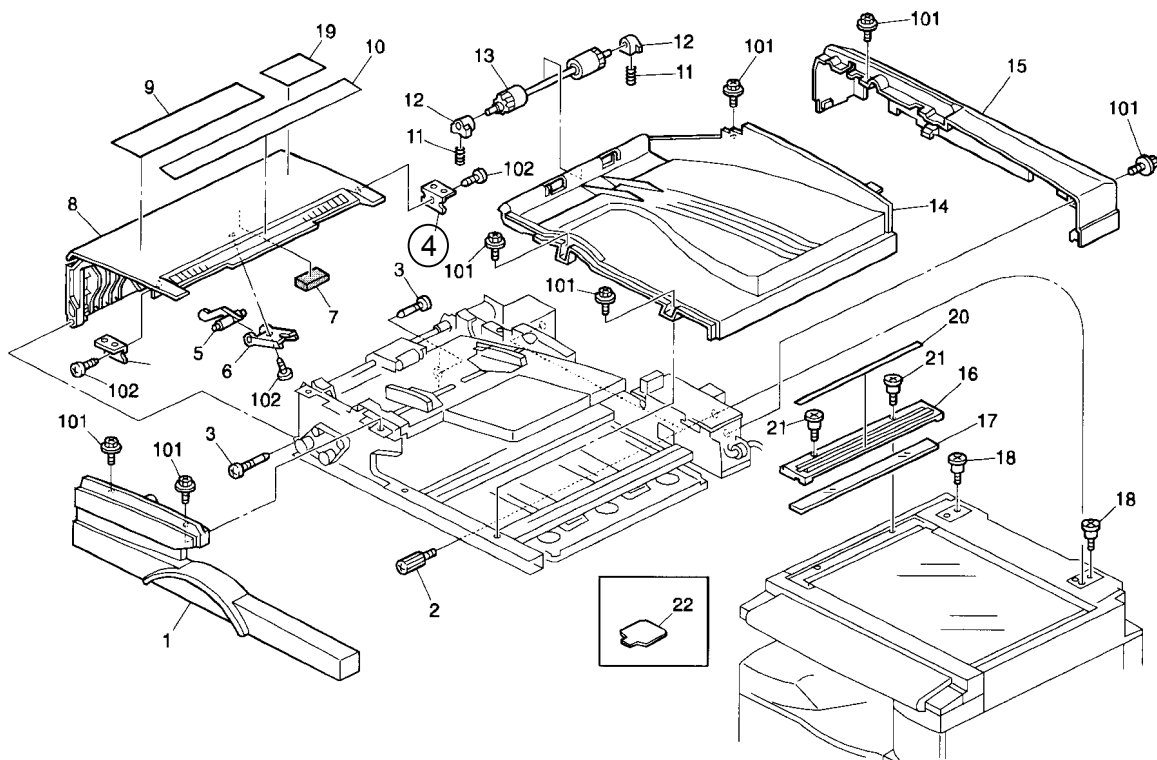
MODEL NAME	DESTINATION	CODE	SERIAL NO.
DF68	All RICOH subsidiaries, NRG, SAVIN	A859-17	H181770001
DF68	Infotec	A859-26	3U9851xxxx
DF68	Lanier	A859-55	L048185001

Model: Stinger-C1 DF (DF68)		Date: 22-Oct-01	No.: MA859008
Modified Article: Brackets		Prepared by: K. Miura	
From: Technical Services Dept., GTS Division			
Reason for Modification:	<input type="checkbox"/> Parts catalog correction	<input type="checkbox"/> Vendor change	<input type="checkbox"/> To meet standards ( )
	<input type="checkbox"/> To facilitate assembly	<input type="checkbox"/> To improve reliability	
	<input type="checkbox"/> Part standardization	<input checked="" type="checkbox"/> Other	

The material for all brackets in the table below has been changed, and in accordance with this, the P/N for all other parts listed has also been changed.

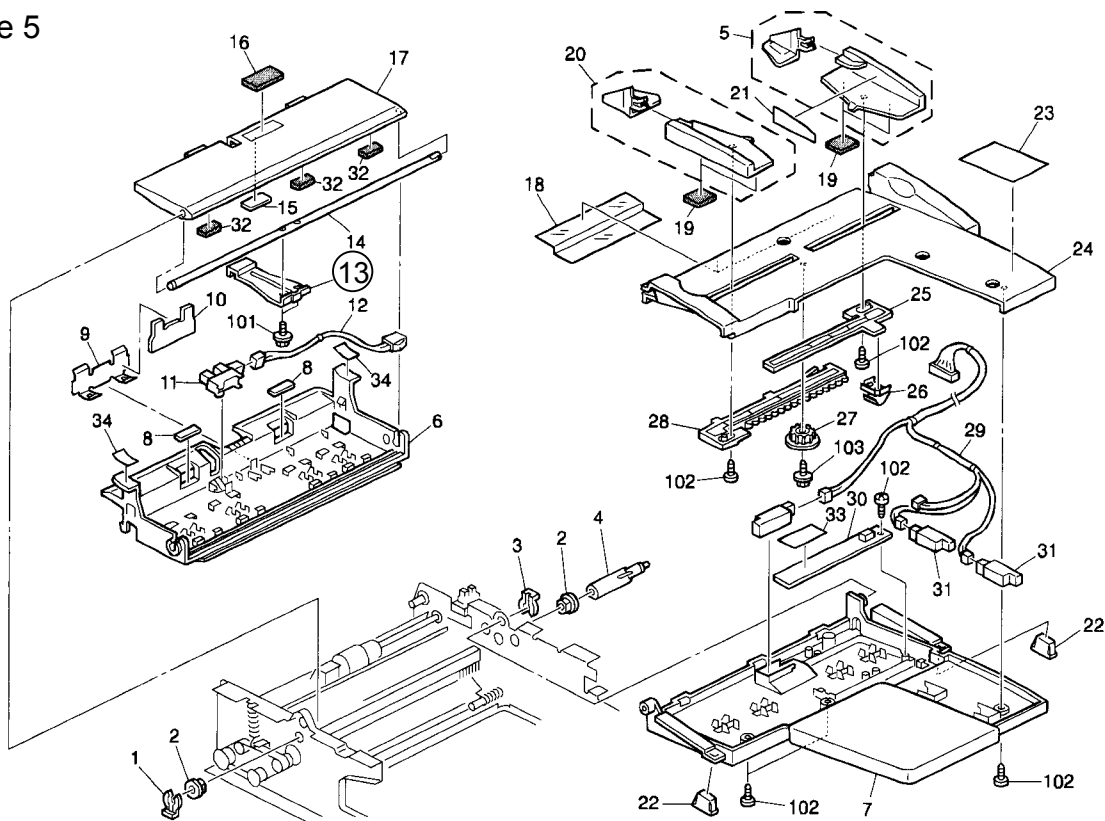
Old part number	New part number	Description	Q'ty	Int	Page	Index	Note
A8594873	B3864873	Positioning Plate	2	O/O	3	4	
A8592353	B3862353	Pressure Plate – Base	1	O/O	5	13	
A8591610	B3861610	Separation Stay	1	O/O	7	6	
A8591123	B3861123	Sensor Bracket	1	O/O	7	10	
A8591710	B3861710	Left Lower Stay	1	O/O	9	16	
A8594311	B3864311	Adjusting Pin	1	O/O	9	28	
A8591311	B3861311	Left Stay	1	O/O	11	5	
A8591320	B3861320	Bracket - Transport Roller	1	O/O	11	8	
A8593413	B3863413	Cover - Exit Guide Plate	1	O/O	11	21	
A8595800	B3795800	Harness - Interface	1	O/O	13	1	
A8591122	B3861122	Right Sensor Bracket	1	O/O	13	6	
A8594411	B3864411	Bracket – Solenoid	1	O/O	13	12	
A8591315	B3861315	Bracket – Electromagnetic Clutch	1	O/O	13	19	
A8591511	B3861511	Middle Stay	2	O/O	15	3	
A8593615	B3863615	Base - Platen Cover	1	O/O	15	6	

Page 3

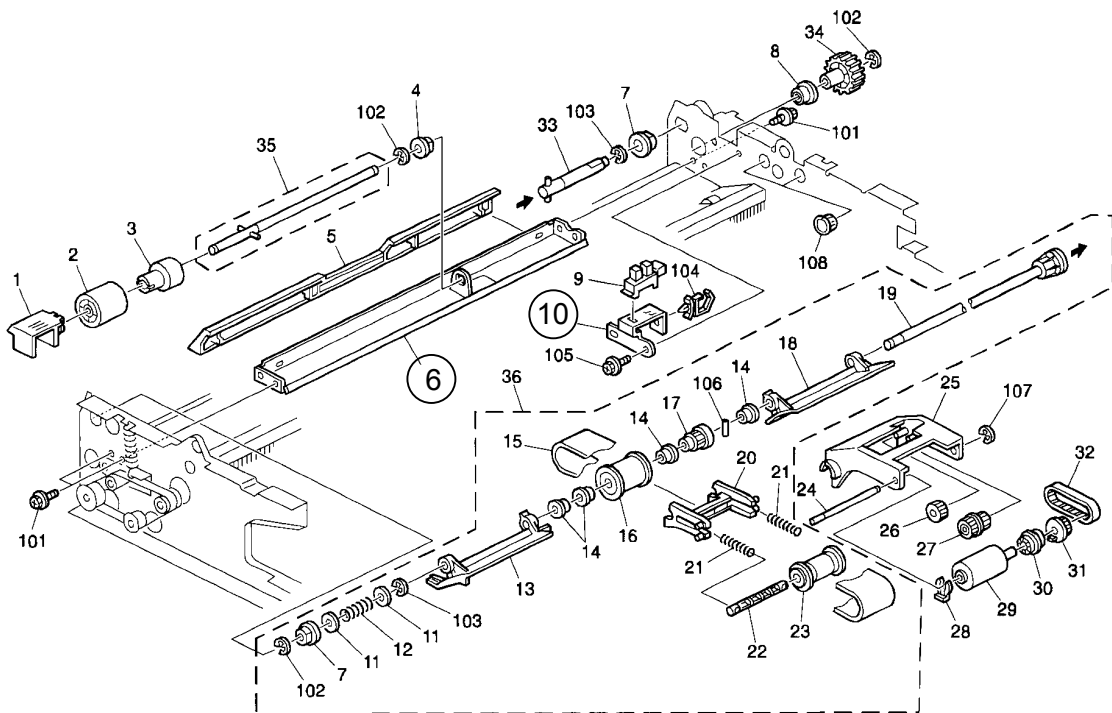




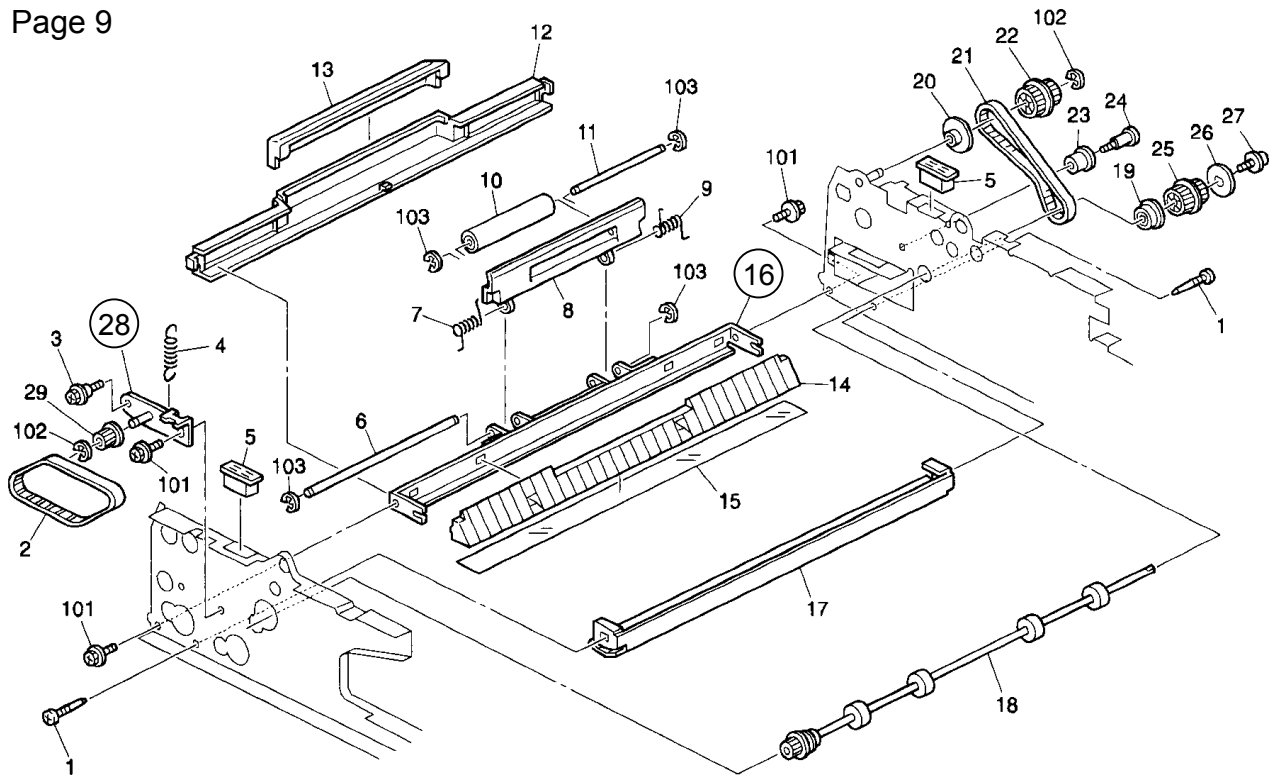
Page 5



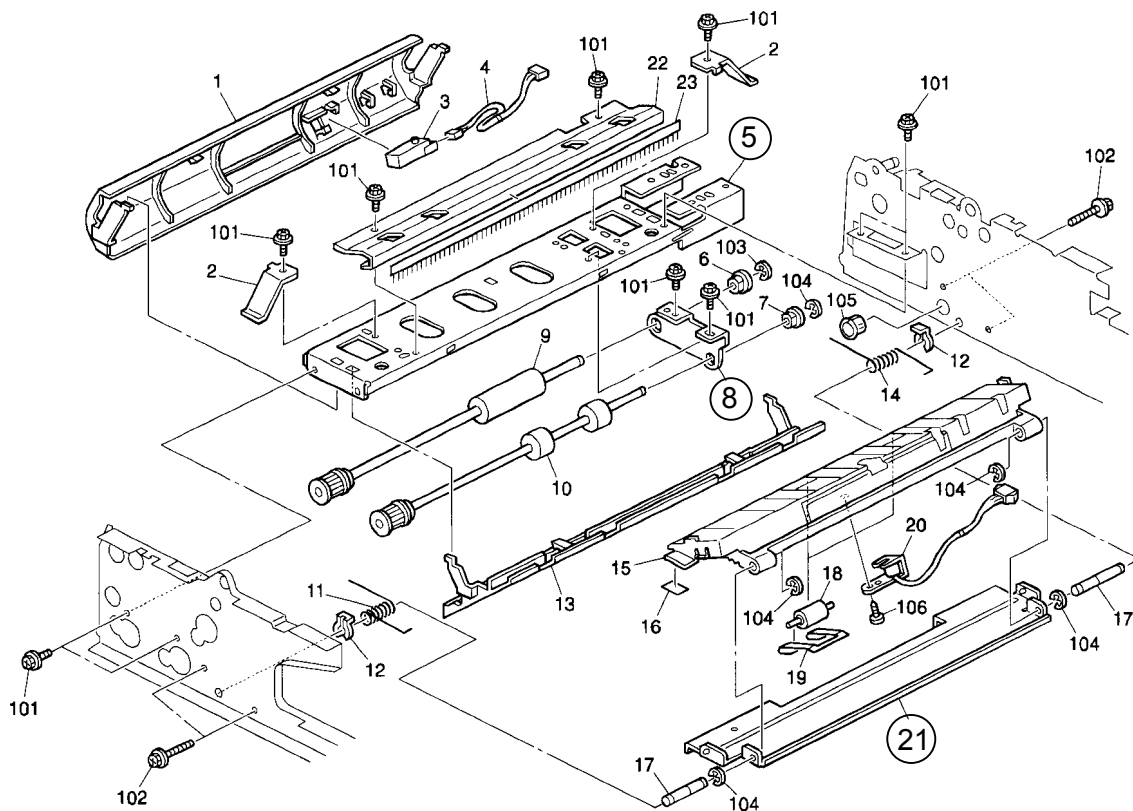
Page 7



Page 9

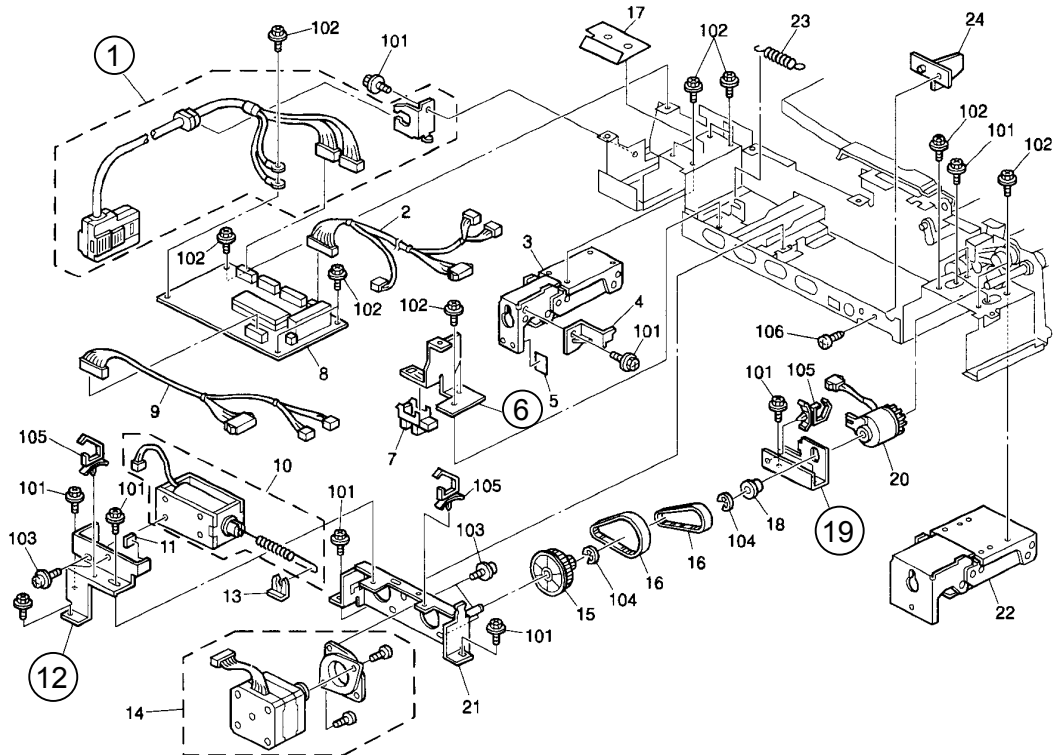


Page 11

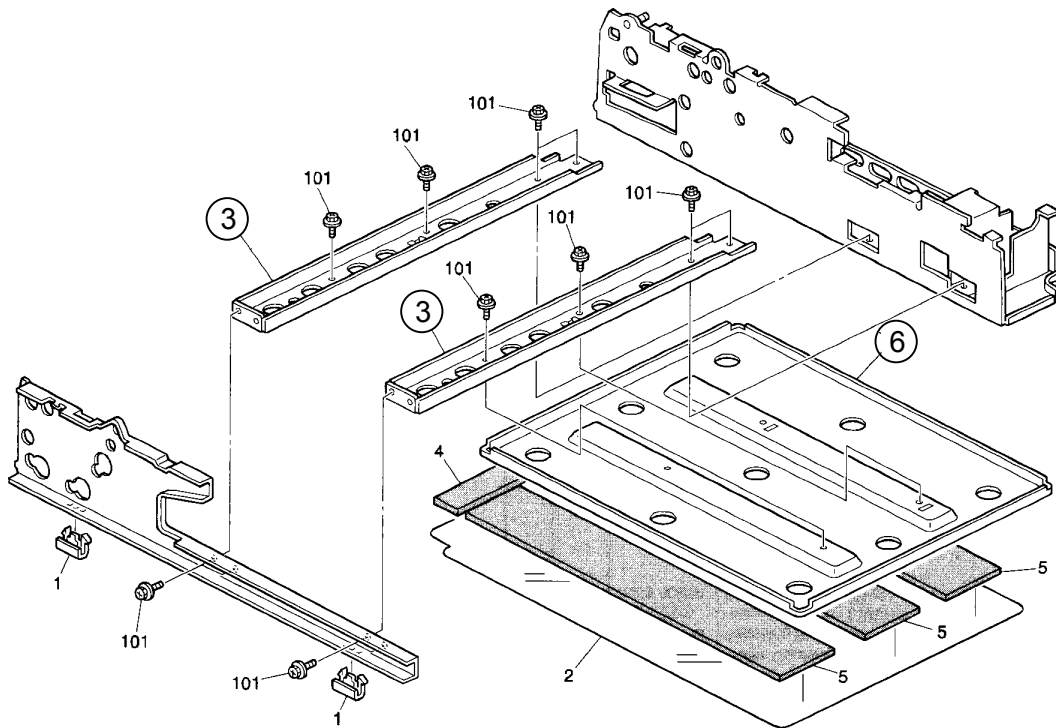


Model: Stinger-C1 DF (DF68)	Date: 22-Oct-01	No.: MA859008
-----------------------------	-----------------	---------------

Page 13



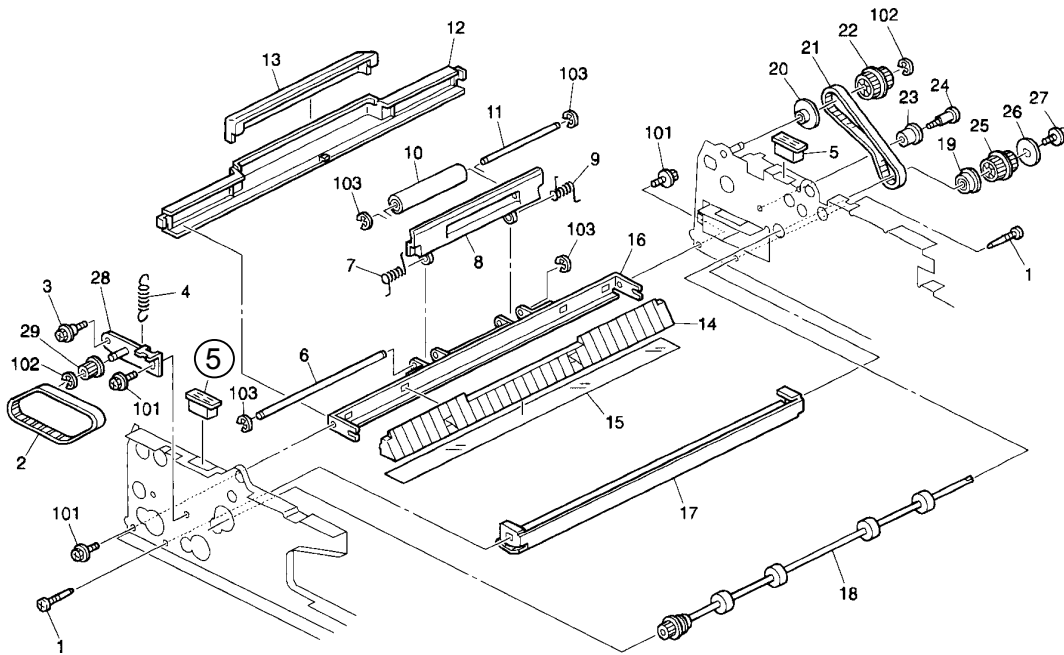
Page 15



Model: Stinger-C1 DF (DF68)		Date: 22-Oct-01	No.: MA859009
Modified Article: Magnet Catch		Prepared by: K. Miura	
From: Technical Services Dept., GTS Division			
Reason for Modification:	<input type="checkbox"/> Parts catalog correction <input type="checkbox"/> To facilitate assembly <input type="checkbox"/> Part standardization	<input checked="" type="checkbox"/> Vendor change <input type="checkbox"/> To improve reliability <input type="checkbox"/> Other	<input type="checkbox"/> To meet standards ( )

The following part has been changed due to a vendor change:

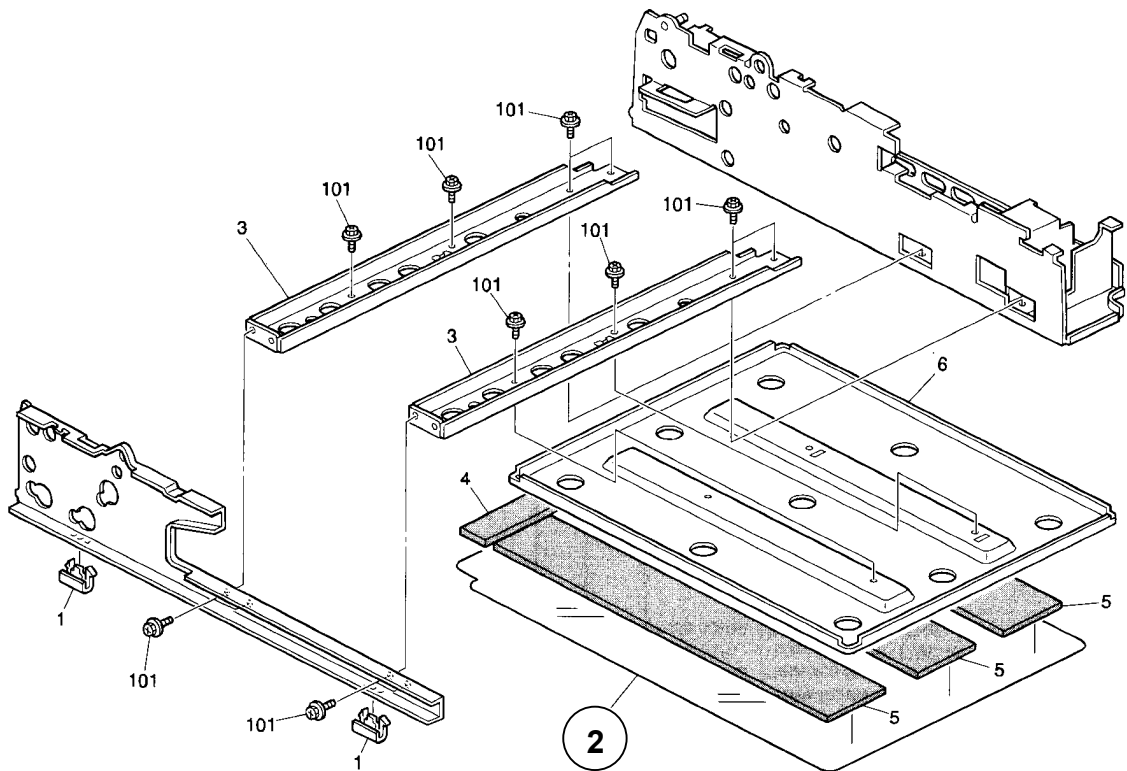
Old part number	New part number	Description	Q'ty	Int	Page	Index	Note
A8591181		Magnet Catch	1		9	5	
	B3514135	Magnet Catch - Original Table	1	O/O	9	5	



Model: Stinger-C1 DF (DF68)		Date: 26-Dec-01	No.: MA859010
Modified Article: Platen Cover Sheet		Prepared by: K.Miura	
From: Technical Services Dept., GTS Division			
Reason for Modification:	<input type="checkbox"/> Parts catalog correction	<input type="checkbox"/> Vendor change	<input type="checkbox"/> To meet standards ( )
	<input type="checkbox"/> To facilitate assembly	<input type="checkbox"/> To improve reliability	
	<input checked="" type="checkbox"/> Part standardization	<input type="checkbox"/> Other	

To standardize the platen cover sheet for several models, the following part has been changed:

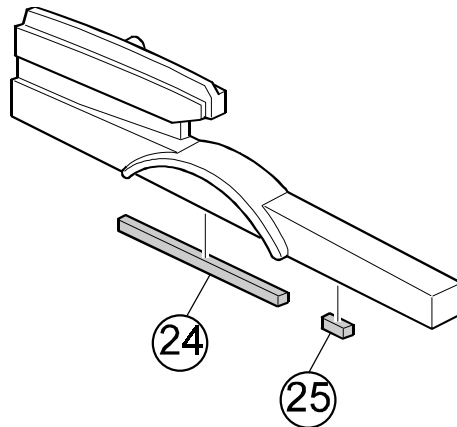
Old part number	New part number	Description	Q'ty	Int	Page	Index	Note
A8593611	G4123721	Sheet - Platen Cover	1		15	2	
		Platen Cover Sheet	1	X/O	15	2	



Model: Stinger-C1 DF (DF68)		Date: 05-Feb-02	No.: MA859011
Modified Article: Cover Sponges		Prepared by: K.Miura	
From: Technical Services Dept., GTS Division			
Reason for Modification:	<input type="checkbox"/> Parts catalog correction <input type="checkbox"/> To facilitate assembly <input type="checkbox"/> Part standardization	<input type="checkbox"/> Vendor change <input checked="" type="checkbox"/> To improve reliability <input type="checkbox"/> Other	<input type="checkbox"/> To meet standards (     )

The following protective padding has been added to facilitate easier handling of the Platen Cover sheet.

New part number	Description	Q'ty	Page	Index	Note
A8584871	Cover Sponge - Front	1	3	24	
A8584872	Cover Sponge - Front Right	1	3	25	



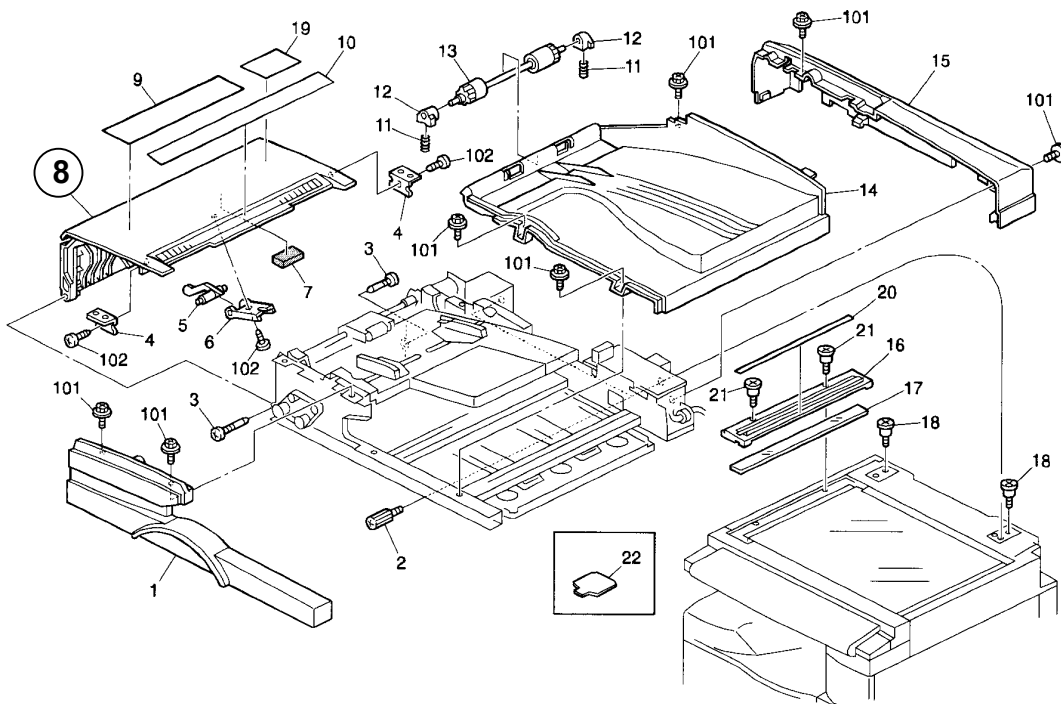
### Dongan (China) Production

MODEL NAME	DESTINATION	CODE	SERIAL NO.
DF68	All RICOH subsidiaries, NRG, SAVIN	A859-17	Service Parts Only
DF68	Infotec	A859-26	Service Parts Only
DF68	Lanier	A859-55	Service Parts Only

Model: Stinger-C1 DF (DF68)		Date: 20-Mar-02	No.: MA859012
Modified Article: Left Cover		Prepared by: K. Miura	
From: Technical Services Dept., GTS Division			
Reason for Modification:	<input type="checkbox"/> Parts catalog correction	<input type="checkbox"/> Vendor change	<input type="checkbox"/> To meet standards ( )
	<input type="checkbox"/> To facilitate assembly	<input checked="" type="checkbox"/> To improve reliability	
	<input type="checkbox"/> Part standardization	<input type="checkbox"/> Other	

When the document approaches the transport rollers, it can sometimes contact the pullout lever due to warping in the left cover. The left cover has been changed to reduce the possibility of this happening.

Old part number	New part number	Description	Q'ty	Int	Page	Index	Note
A8594841	A8594842	Left Cover	1	X/O	3	8	



Model: Stinger-C1 DF (DF68)

Date: 20-Mar-02

No.: MA859012

**Dongan (China) Production**

<b>MODEL NAME</b>	<b>DESTINATION</b>	<b>CODE</b>	<b>SERIAL NO.</b>
DF68	All RICOH subsidiaries, NRG, SAVIN	A859-17	H1818400001
DF68	Infotec	A859-26	3U9812xxxx
DF68	Lanier	A859-55	L048281xxxx

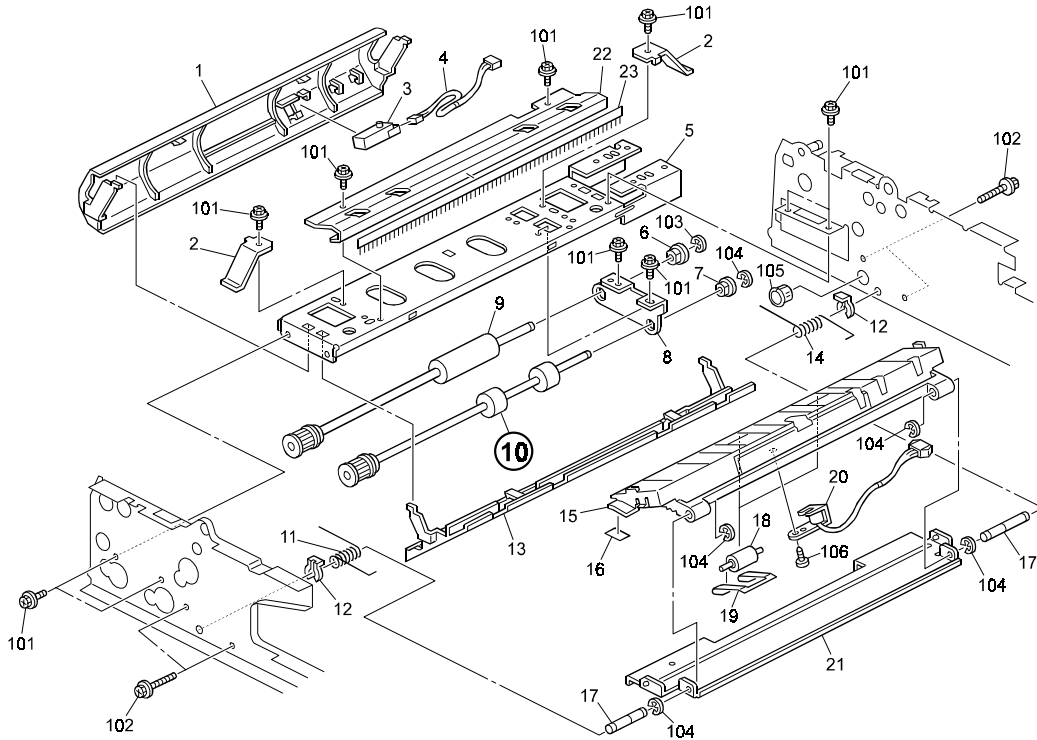


Model: Stinger C1 DF (DF68)	Date: 19-Jul-02	No.: MA859013
-----------------------------	-----------------	---------------

Modified Article: Middle Transport Roller		Prepared by: K. Miura	
From: Technical Services sec. Service Planning Dept.			
Reason for Modification:	<input type="checkbox"/> Parts catalog correction	<input checked="" type="checkbox"/> Vendor change	<input type="checkbox"/> To meet standards ( )
	<input type="checkbox"/> To facilitate assembly	<input type="checkbox"/> To improve reliability	
	<input type="checkbox"/> Part standardization	<input type="checkbox"/> Other	

The following has been changed due to a vendor change.

Old part number	New part number	Description	Q'ty	Int	Page	Index	Note
A8593120	B3863121	Transport Roller - Middle	1	O/O	11	10	

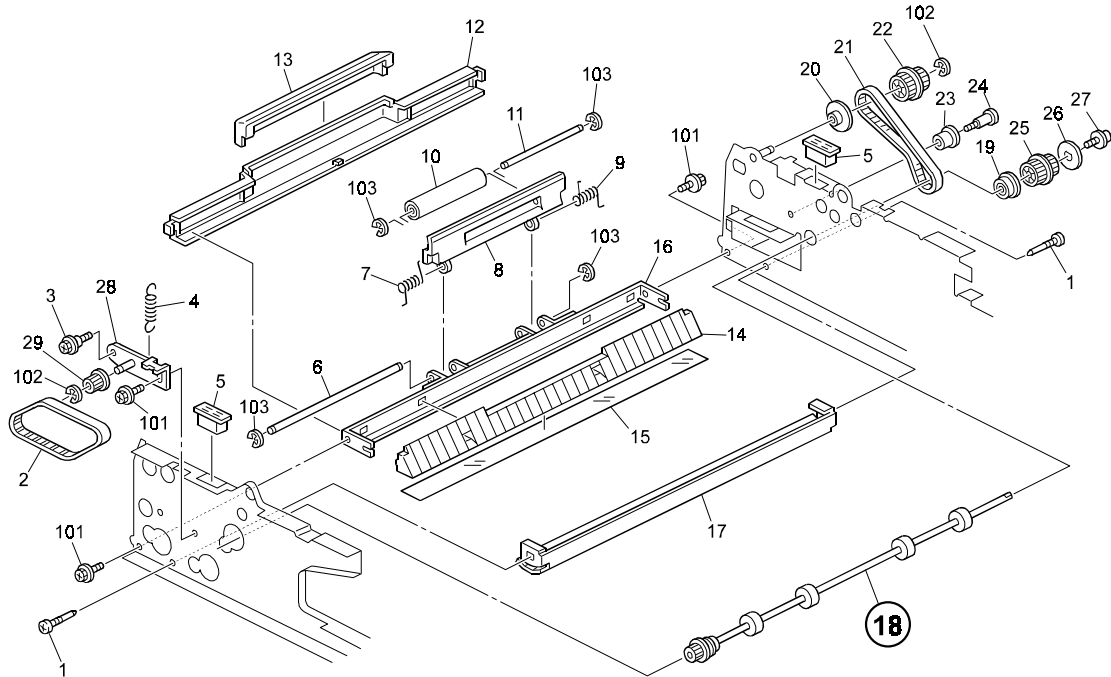


Model: Stinger C1 DF (DF68)	Date: 19-Jul-02	No.: MA859014
-----------------------------	-----------------	---------------

Modified Article: Drive Exit Roller		Prepared by: K. Miura	
From: Technical Services sec. Service Planning Dept.			
Reason for Modification:	<input type="checkbox"/> Parts catalog correction	<input type="checkbox"/> Vendor change	<input type="checkbox"/> To meet standards ( )
	<input type="checkbox"/> To facilitate assembly	<input checked="" type="checkbox"/> To improve reliability	
	<input type="checkbox"/> Part standardization	<input type="checkbox"/> Other	

To minimize vibration of originals during paper feed, the following has been changed:

Old part number	New part number	Description	Q'ty	Int	Page	Index	Note
A8593130	B3863130	Exit Roller - Drive	1	O/O	9	18	



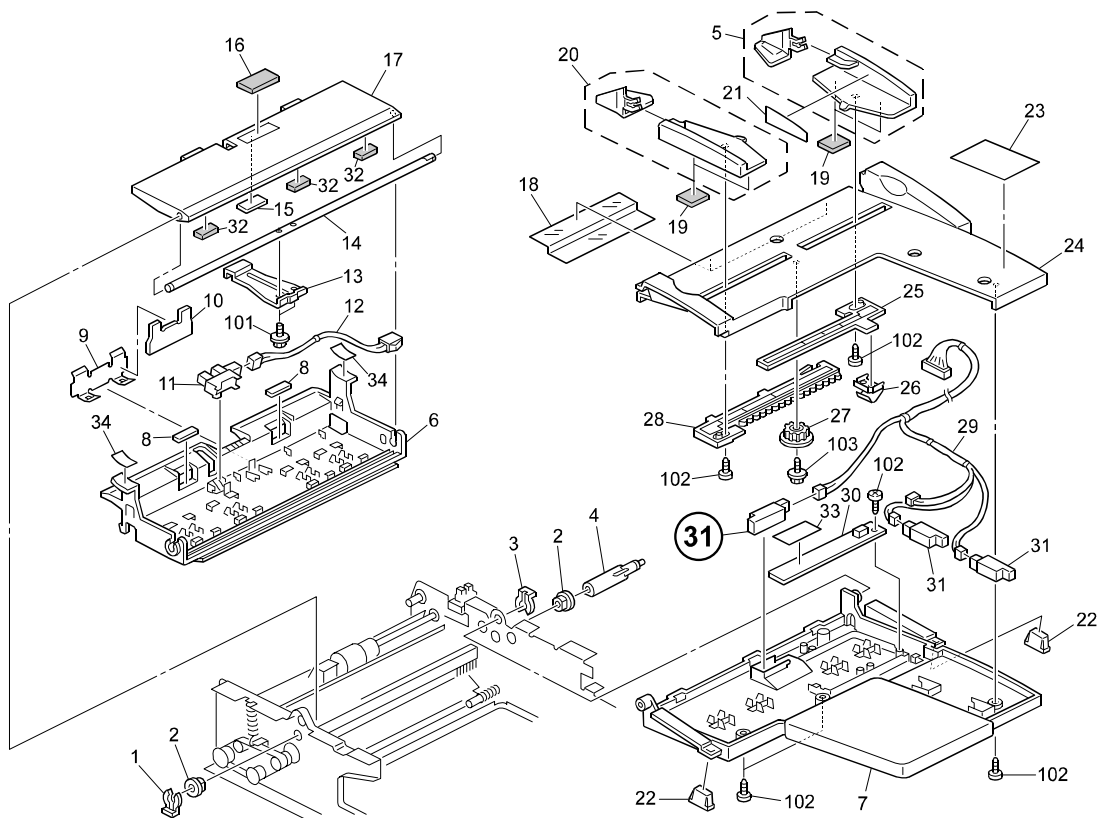
Model: Stinger-C1 DF (DF68)	Date: 22-Nov-02	No.: MA859015
-----------------------------	-----------------	---------------

Modified Article: Parts Catalog Correction		Prepared by: K. Miura	
From: Technical Services sec. Service Planning Dept.			
Reason for Modification:	<input checked="" type="checkbox"/> Parts catalog correction	<input type="checkbox"/> Vendor change	<input type="checkbox"/> To meet standards ( )
	<input type="checkbox"/> To facilitate assembly	<input type="checkbox"/> To improve reliability	
	<input type="checkbox"/> Part standardization	<input type="checkbox"/> Other	

Please correct your Parts Catalog as follows:

Quantity Change

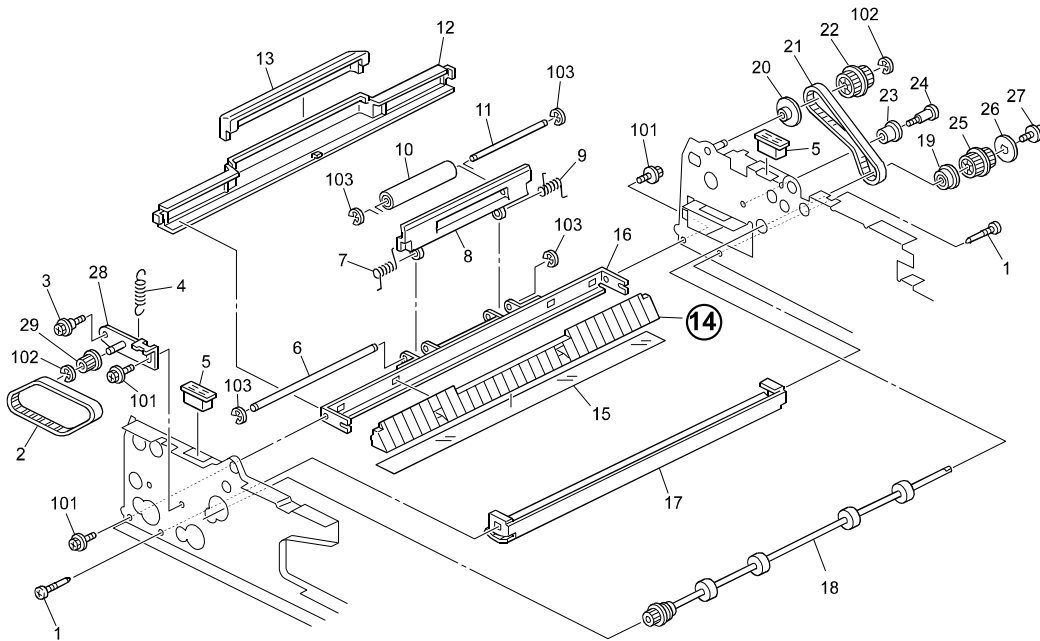
Part number	Description	Old Q'ty	New Q'ty	Page	Index	Note
AW010087	Photo Sensor - A'ssy	2	3	5	31	



Model: Stinger-C1 DF (DF68)		Date: 6-Dec-02	No.: MA859016
Modified Article: Left Lower Guide		Prepared by: K. Miura	
From: Technical Services sec. Service Planning Dept.			
Reason for Modification:	<input type="checkbox"/> Parts catalog correction	<input type="checkbox"/> Vendor change	<input type="checkbox"/> To meet standards ( )
	<input type="checkbox"/> To facilitate assembly	<input checked="" type="checkbox"/> To improve reliability	
	<input type="checkbox"/> Part standardization	<input type="checkbox"/> Other	

To ensure the junctions of the Lower Left Guide stay properly in position when the ADF is installed, the guide has been changed.

Old part number	New part number	Description	Q'ty	Int	Page	Index	Note
A8591721	A8591723	Left Lower Guide	1	X/O	9	14	



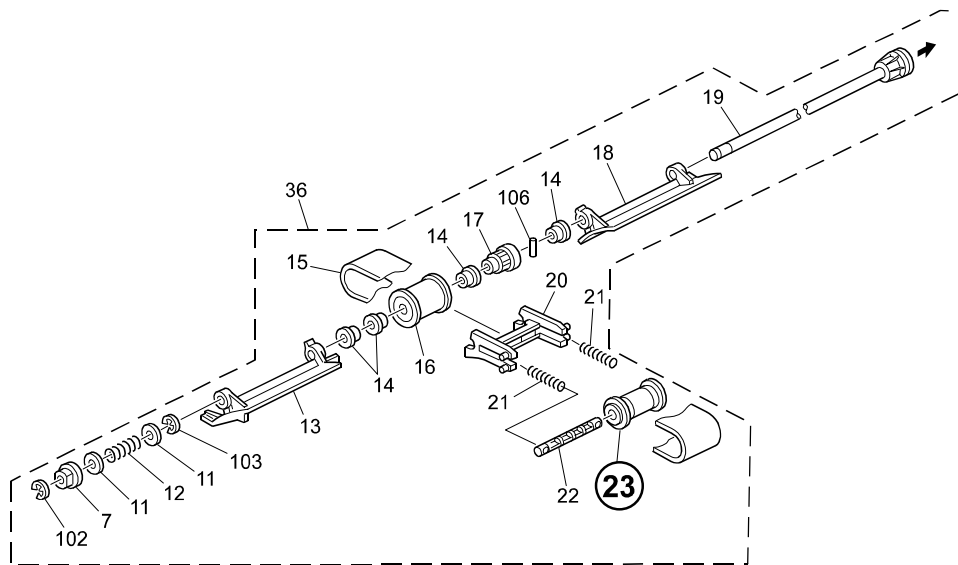
### Dongan (China) Production

MODEL NAME	DESTINATION	CODE	SERIAL NO.
DF68	All RICOH subsidiaries, NRG, SAVIN	A859-17	Service Parts Only
DF68	Infotec	A859-26	Service Parts Only
DF68	Lanier	A859-55	Service Parts Only

Model: Stinger-C1 DF (DF68)		Date: 30-Apr-03	No.: MA859017
Modified Article: Paper Feed Belt Roller		Prepared by: K. Miura	
From: 1st Tech. Support Sec. Service Support Dept.			
Reason for Modification:	<input type="checkbox"/> Parts catalog correction	<input type="checkbox"/> Vendor change	<input type="checkbox"/> To meet standards ( )
	<input type="checkbox"/> To facilitate assembly	<input type="checkbox"/> To improve reliability	
	<input checked="" type="checkbox"/> Part standardization	<input type="checkbox"/> Other	

The following has been changed due to parts standardization with other models.

Old part number	New part number	Description	Q'ty	Int	Page	Index	Note
A8592113	B3872113	Drive Roller - Paper Feed Belt	1		7	23	
		Roller - Paper Feed Belt	1	O/O	7	23	

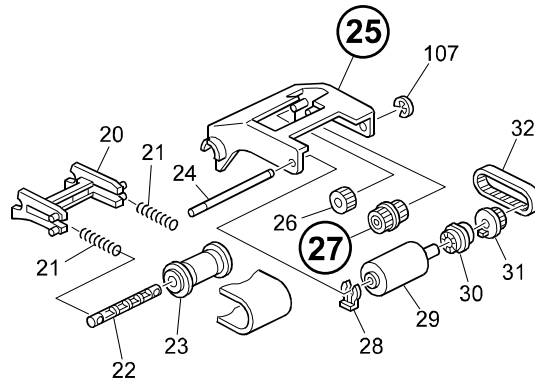


Model: Stinger-C1 DF (DF68)		Date: 21-May-03	No.: MA859018
Modified Article: Pick up holder and Pulley		Prepared by: K. Miura	
From: 1st Tech. Support Sec. Service Support Dept.			
Reason for Modification:	<input type="checkbox"/> Parts catalog correction <input type="checkbox"/> To facilitate assembly <input type="checkbox"/> Part standardization	<input type="checkbox"/> Vendor change <input checked="" type="checkbox"/> To improve reliability <input type="checkbox"/> Other	<input type="checkbox"/> To meet standards ( )

The following have been changed to further ensure that the shaft of the Pickup Holder for the Pulley is not damaged.

Old part number	New part number	Description	Q'ty	Int	Page	Index	Note
A8592151	G4123821	Holder - Pick Up	1	X/X	7	25	
A8592168	G4123831	Pulley - 22Z	1	X/X	7	27	

**Note:** These parts must be replaced together as a set.



### Dongan (China) Production

MODEL NAME	DESTINATION	CODE	SERIAL NO.
DF68	All RICOH subsidiaries, NRG, SAVIN	A859-17	Service Parts Only
DF68	Infotec	A859-26	Service Parts Only
DF68	Lanier	A859-55	Service Parts Only